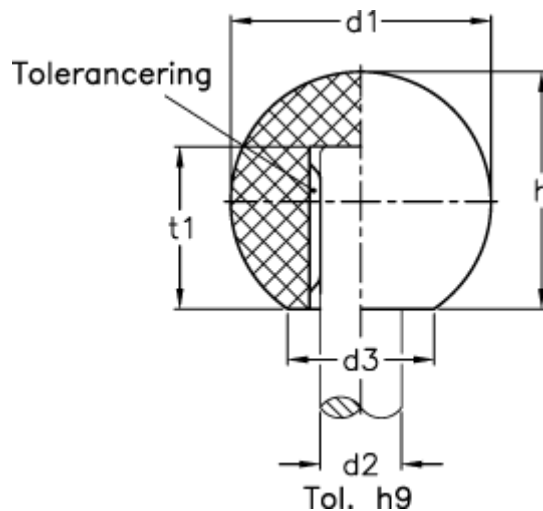


Article number: 20130224

Description: E+G Ball knob DIN 319-KU-50-B20-L

## Measures



$d_1$	= 50
$d_2$	= B20
$d_3$ approx.	= 28
$h$	= 46.0
$t_1$	= 28